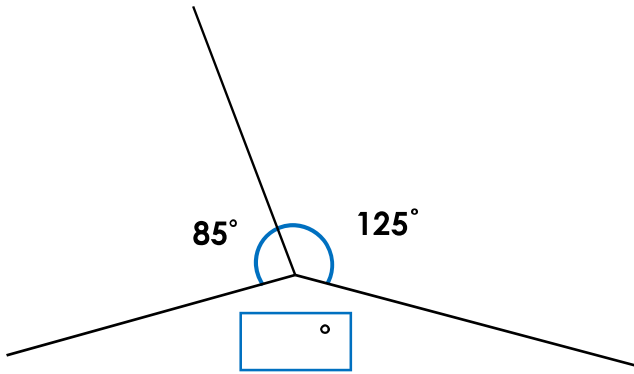


Calculating Angles around a Point

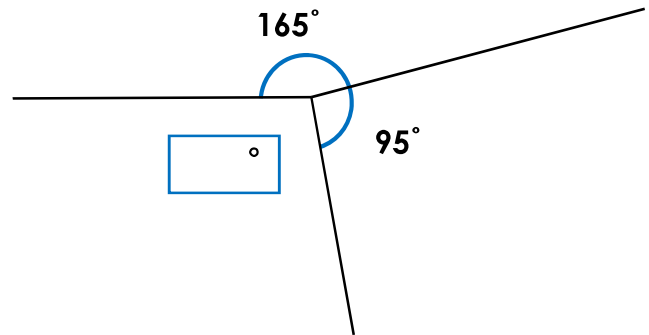
Calculating Angles around a Point

1a. What is the missing angle?



VF

1b. What is the missing angle?



VF

2a. Three angles make up a full turn. These are 2 of the angles:

75°
 155°

What is the value of the third angle?



VF

2b. Three angles make up a full turn. These are 2 of the angles:

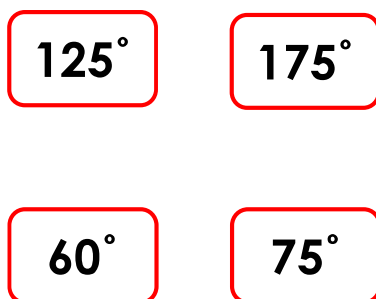
80°
 165°

What is the value of the third angle?



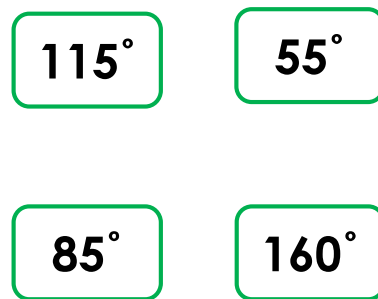
VF

3a. Circle 3 angles that will add up to make a full turn.



VF

3b. Circle 3 angles that will add up to make a full turn.



VF

4a.

A third of a full turn is 120°

True or false?



VF

4b.

A quarter of a full turn is 45°

True or false?

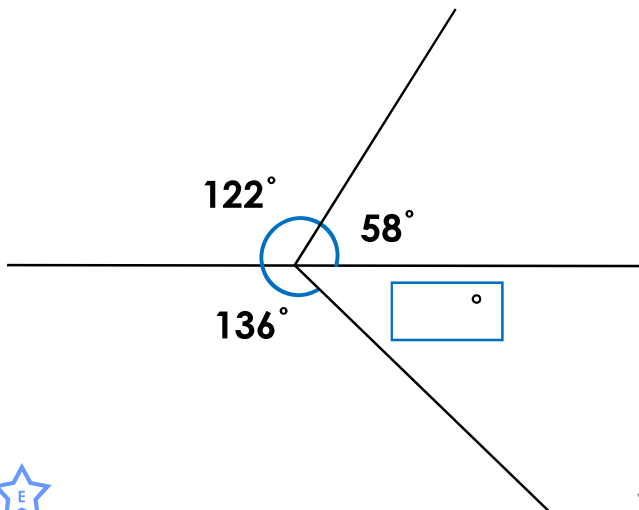


VF

Calculating Angles around a Point

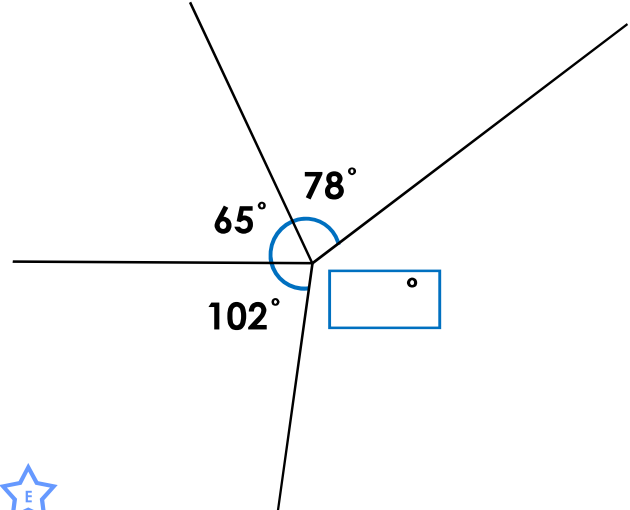
Calculating Angles around a Point

5a. What is the missing angle?



VF

5b. What is the missing angle?



VF

6a. Four angles make up a full turn. These are 3 of the angles:

28°
 143°
 92°

What is the value of the fourth angle?



VF

6b. Four angles make up a full turn. These are 3 of the angles:

36°
 178°
 67°

What is the value of the fourth angle?



VF

7a. Circle 4 angles that will add up to make a full turn.

32°

69°

112°

53°

101°

78°



VF

7b. Circle 4 angles that will add up to make a full turn.

81°

59°

136°

22°

84°

78°



VF

8a.

A sixth of a full turn is 66°

True or false?



VF

8b.

An eighth of a full turn is 45°

True or false?

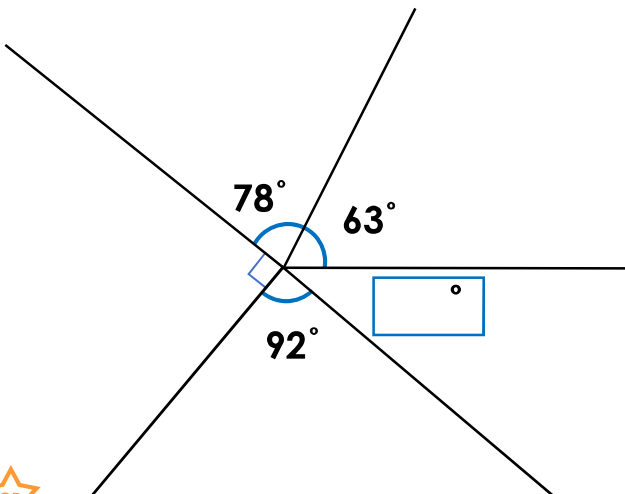


VF

Calculating Angles around a Point

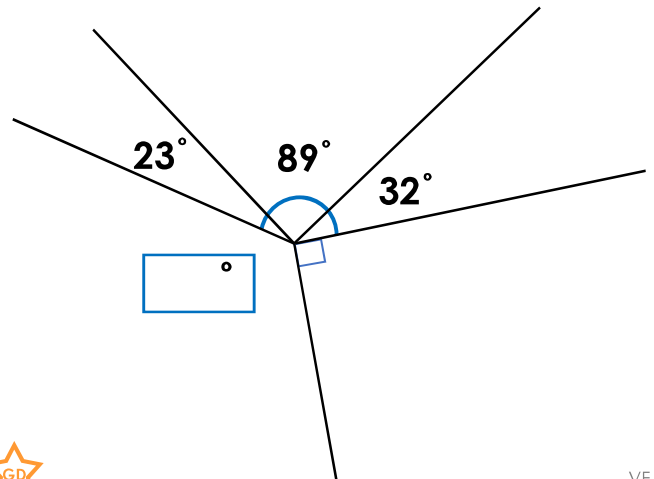
Calculating Angles around a Point

9a. What is the missing angle?



VF

9b. What is the missing angle?



VF

10a. Five angles make up a full turn. These are 4 of the angles:

54°
13°
93°
64°

What is the value of the fifth angle?



VF

10b. Five angles make up a full turn. These are 4 of the angles:

54°
66°
124°
71°

What is the value of the fifth angle?



VF

11a. Circle 5 angles that will add up to make a full turn.

42°

36°

89°

32°

98°

95°



VF

11b. Circle 5 angles that will add up to make a full turn.

104°

19°

83°

98°

22°

56°



VF

12a.

Three-ninths of a full turn is 120°

True or false?



VF

12b.

Five-eighths of a full turn is 200°

True or false?



VF