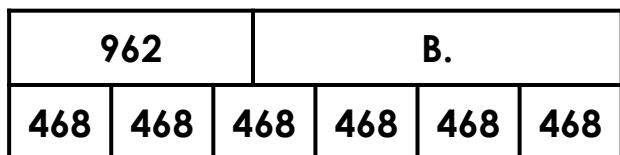
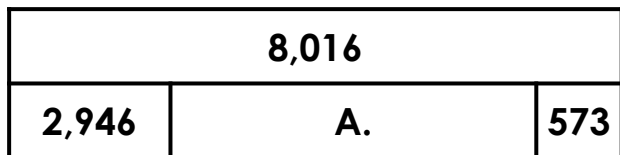


Order of Operations

1. Complete the bar models.



VF

4. A new band needs 9,500 streams in order to receive their pay from their record label.

On Monday to Friday, they get the same number of streams.

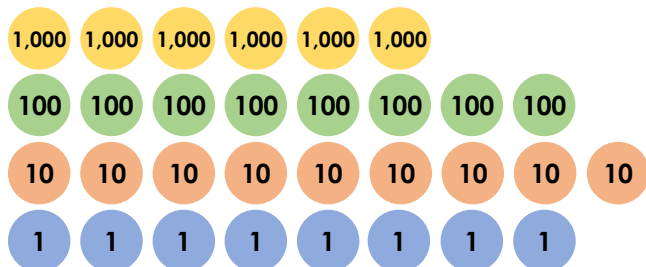
On Saturday, they get 2,400 streams, and on Sunday they get 3,150.

How many streams did they get on Monday?

PS

2. Anders thinks of a number.

After he subtracts 4,894 and adds 3,825, his number is 6,898.

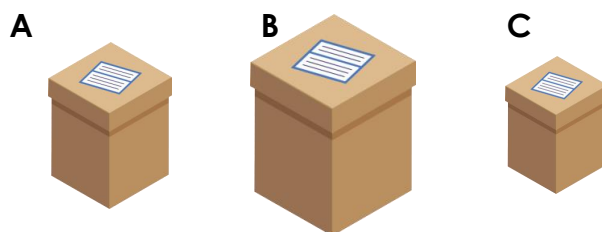


What number did he start with?

VF

5. Joshua is organising his model car collection.

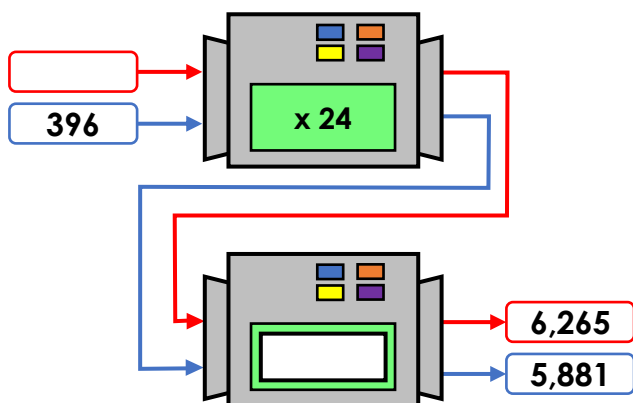
He has 9,100 cars in total. Box C has two sevenths of the cars, Box B has double the amount that Box C has, and Box A has the rest.



How many stickers are in each box?

PS

3. Look at the function machines below. What is the missing input and the missing function?



VF

6. A cake factory uses 50g of flour and 35g of sugar to make one bun. In an hour, the factory uses 9,775kg of flour and sugar combined.

Zafina says,



I think the factory bakes 110 buns in an hour.

Is Zafina correct? Explain why.

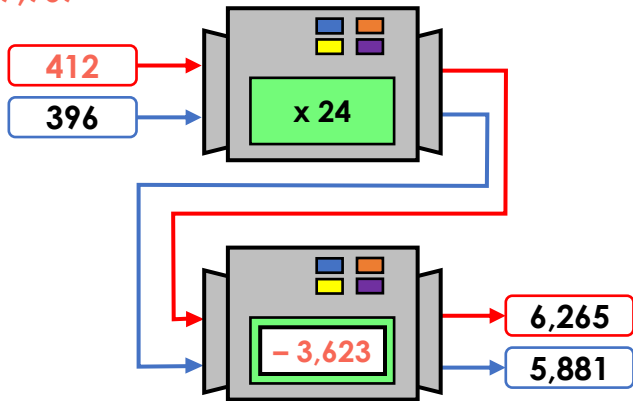
R

Order of Operations

1. A. 4,497; B. 1,846

2. 7,967

3.



4. 790 plays on Monday

5. Box A. 1,300; Box B. 5,200; Box C. 2,600

6. Zafina is incorrect because 1 bun uses 85g of flour and sugar combined. $9,775 \div 85 = 115$ buns in an hour, not 110 as Zafina said.