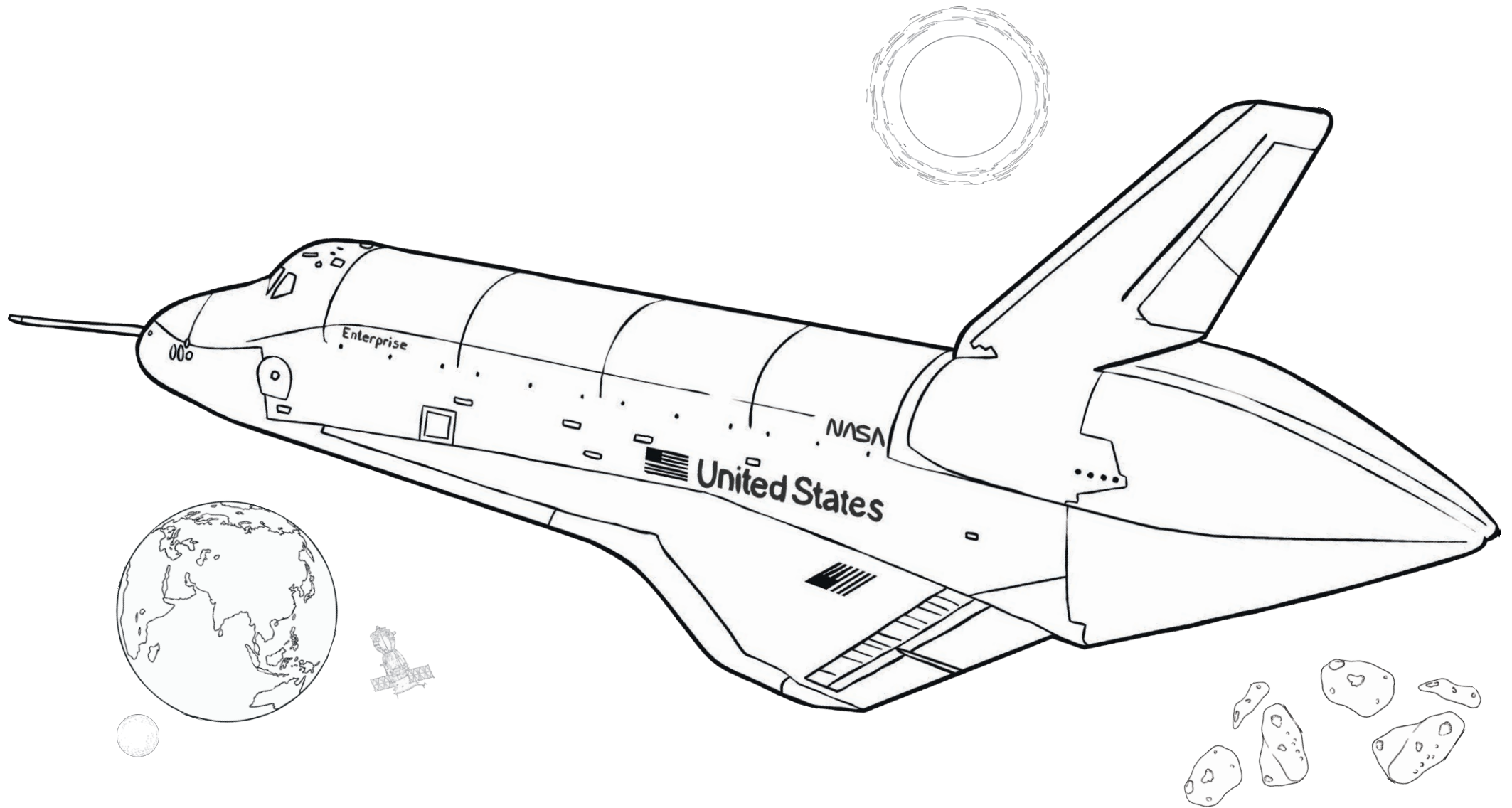


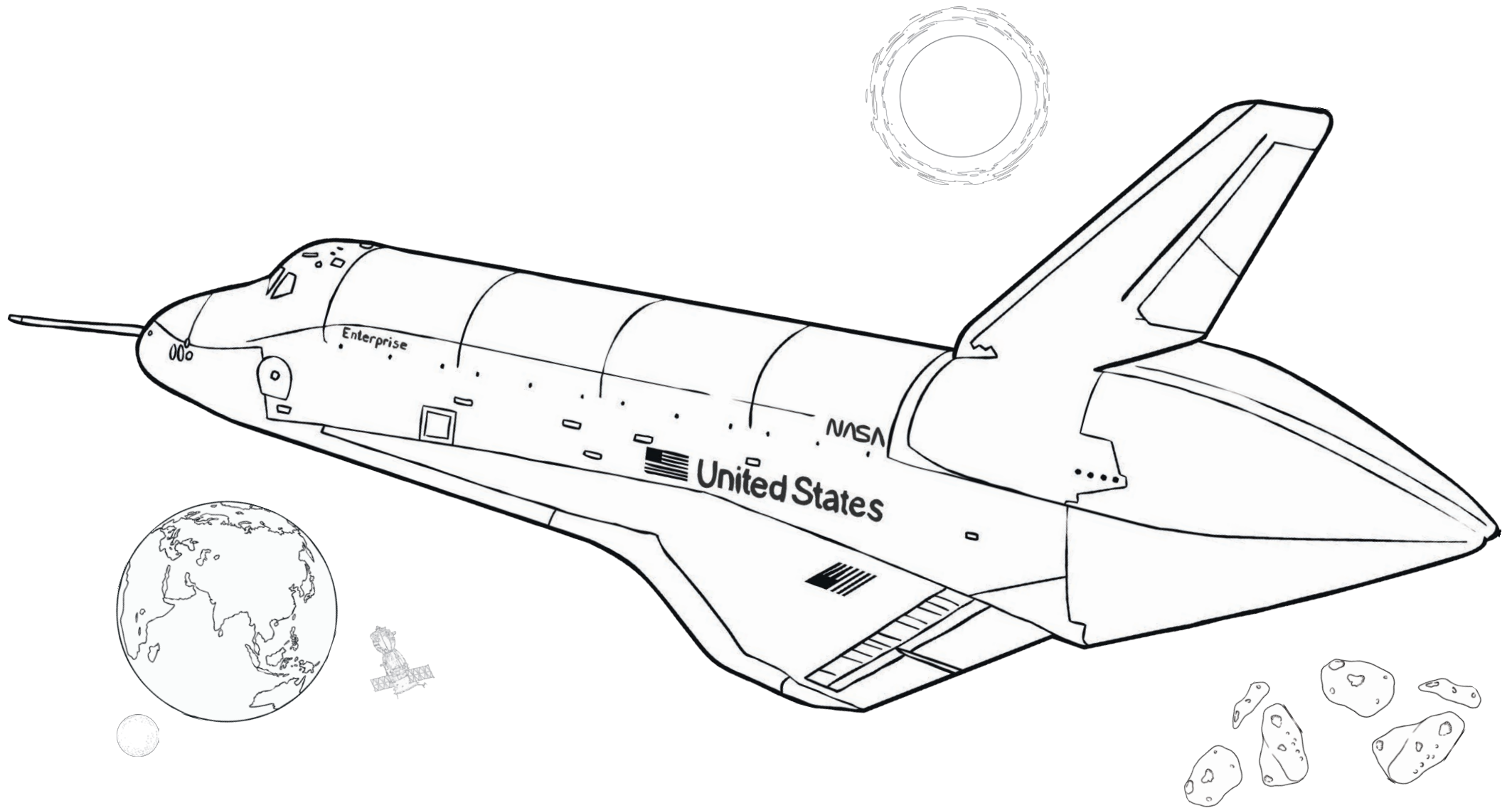
Space Walk

Cut out the astronauts. Complete the calculation on each astronaut and then sort them by their answer by placing them on the correct space shuttle. Once you have selected the correct space shuttle, stick the astronaut on it using a glue stick.

Answer is less than 1 whole



Answer is 1 whole or greater



Space Themed Maths Activity Games **Answers**

Question	Answer	
	Cut out the astronauts. Complete the calculation on each astronaut and then sort them by their answer by placing them on the correct space shuttle. Once you have selected the correct space shuttle, stick the astronaut on it using a glue stick.	
	Answer is less than 1 whole	Answer is 1 whole or greater
	$\frac{4}{7} - \frac{5}{21} = \frac{1}{3}$ $\frac{1}{3} + \frac{7}{12} = \frac{11}{12}$ $\frac{7}{10} - \frac{2}{5} = \frac{3}{10}$ $\frac{17}{20} - \frac{3}{5} = \frac{1}{4}$	$\frac{3}{4} + \frac{7}{16} = 1\frac{3}{16}$ $\frac{18}{30} + \frac{1}{2} = 1\frac{1}{10}$ $\frac{11}{12} + \frac{1}{4} = 1\frac{1}{6}$ $\frac{1}{2} + \frac{7}{9} = 1\frac{5}{18}$