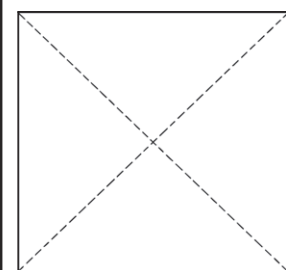
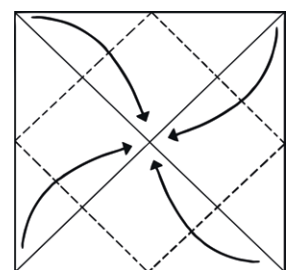


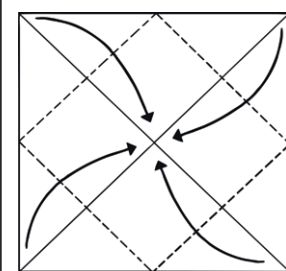
Simple Formulae

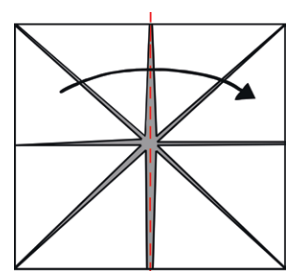
Fortune Teller

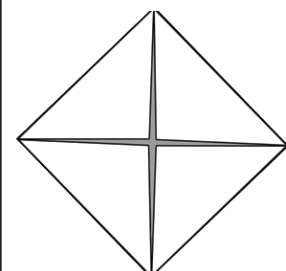
Instructions

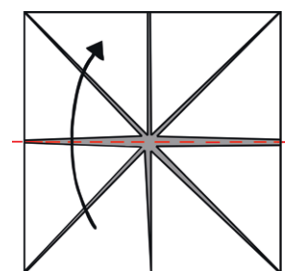
①  With pictures face down, fold on both diagonal lines. Unfold.

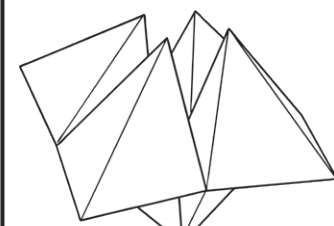
④  Once again, fold all corners to the center.

②  Fold all four corners to the center.

⑤  Fold paper in half and unfold.

③  Turn paper over.

⑥  Fold in half from top to bottom. Do not unfold.

⑦  Slide thumbs and forefingers under the squares and move the fortune teller back and forth to play.

<p>What is b if $a = 8$? $2a = b$</p>	<p>What is b if $a = 11$? $4a + 24 = b$</p> <p>$89 = b$</p>	<p>What is b if $a = 6$? $5a - 9 = b$</p> <p>$b = 21$</p>	<p>What is b if $a = 9$? $3a = b$</p>
<p>What is b if $a = 25$? $4(a - 7) = b$</p> <p>$b = 72$</p>	<p>$b = 69$</p>	<p>What is b if $a = 8$? $3(a + 15) = b$</p>	<p>What is b if $a = 42$? $3(a + 15) = b$</p>
<p>What is b if $a = 42$? $4(a - 7) = b$</p> <p>$b = 140$</p>	<p>$b = 171$</p>	<p>What is b if $a = 100$? $5a - 9 = b$</p> <p>$b = 491$</p>	<p>What is b if $a = 18$? $100 - a = b$</p>
<p>What is b if $a = 27$? $a + 15 = b$</p>	<p>What is b if $a = 25$? $4a + 24 = b$</p> <p>$b = 124$</p>	<p>What is b if $a = 100$? $5a - 9 = b$</p>	<p>What is b if $a = 18$? $100 - a = b$</p>